

Locked Air[®]

User's Manual

Ver 1.00



Warning

1. Make sure that casters are all locked before operation.
2. The machine is ONLY available for the cable provided, otherwise it may damage the machine.
3. Confirm whether the surrounding is open before push down the winder.
4. In working condition, NEVER put anything but bubble air cushions between two steel bars.

Safety precautions

1. If the winder has no response when the F1 is working, please check whether the aviation plug is loose, or please contact after-sales staff.

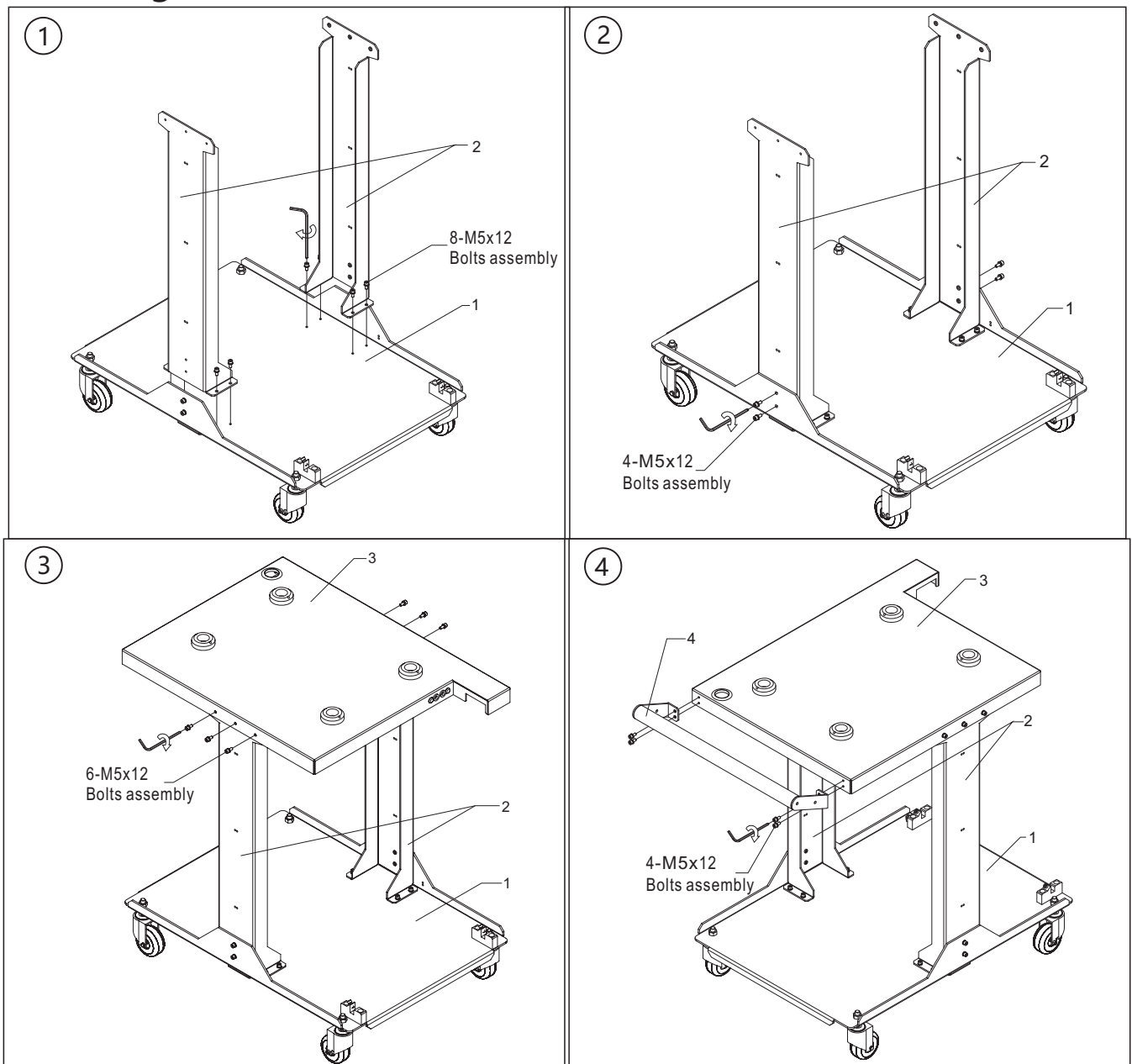
一.Parameters

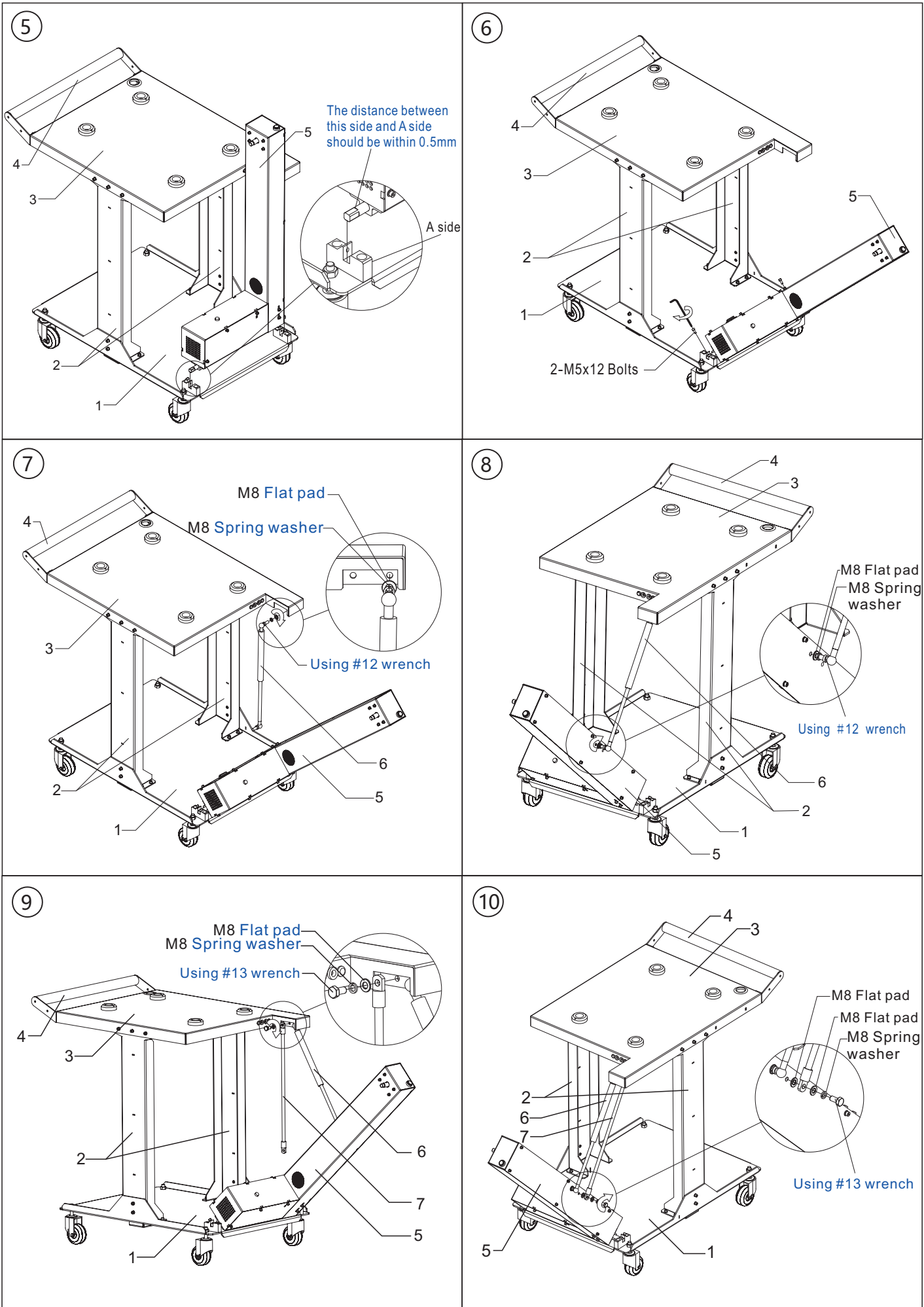
No	Designation	Value
1	Power supply	200~240VAC 50/60Hz
2	Power	6W
3	Weight	39 Kg

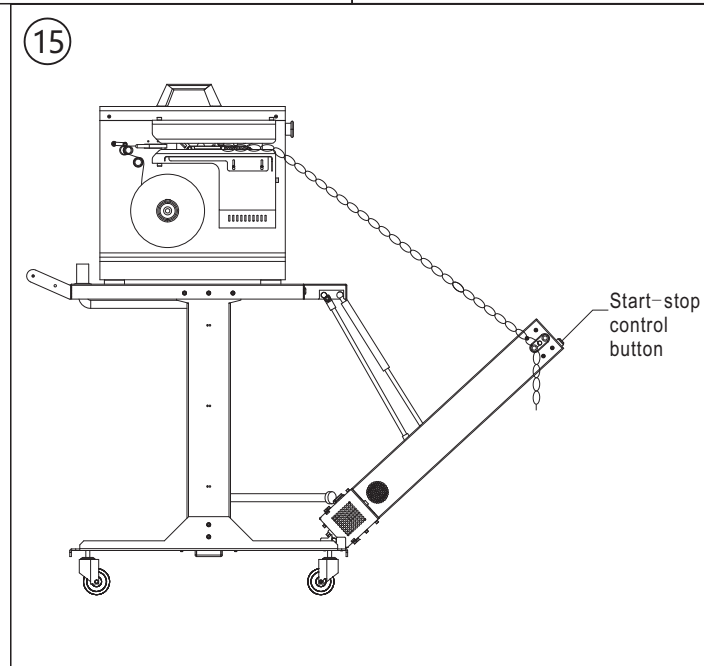
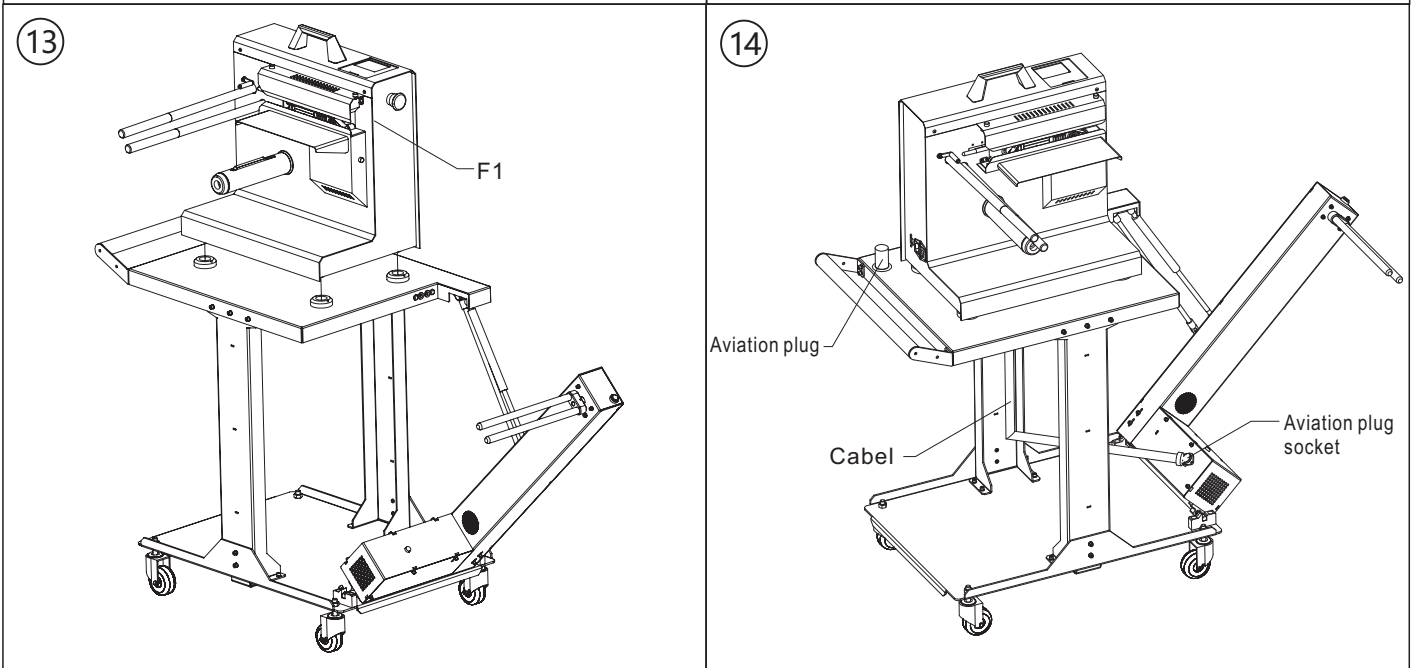
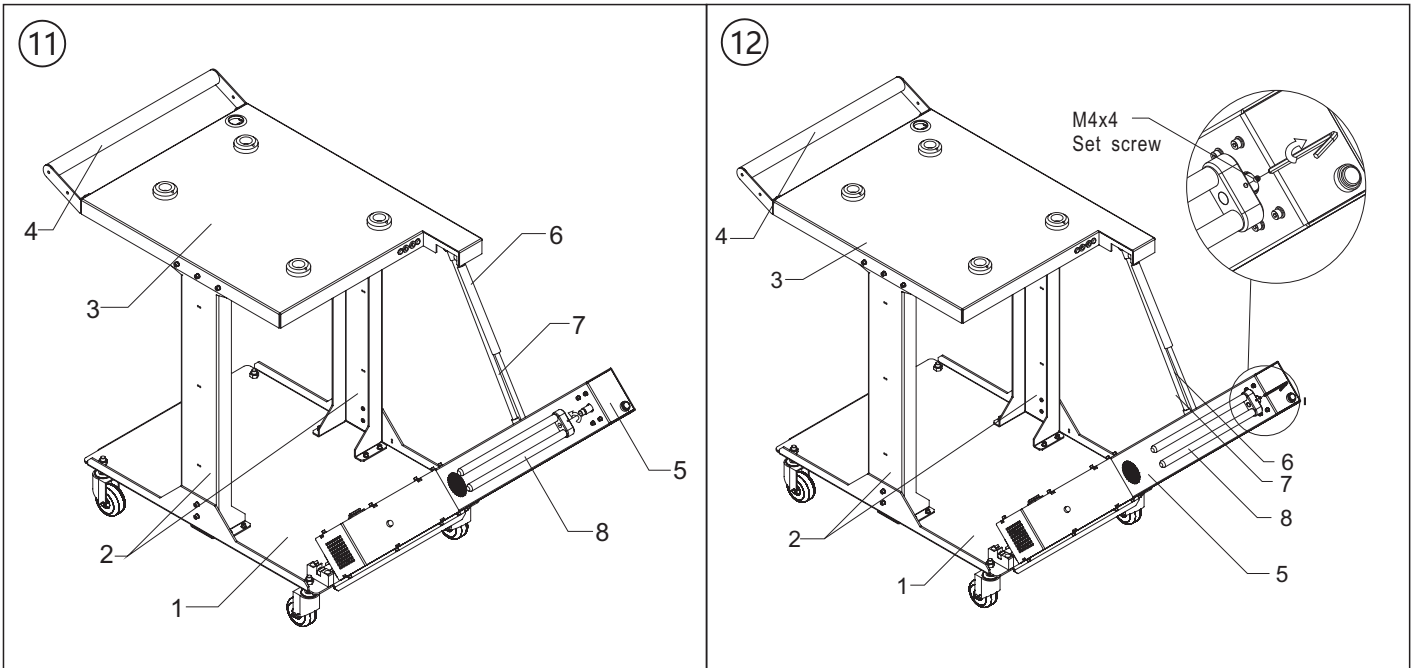
二.装箱清单

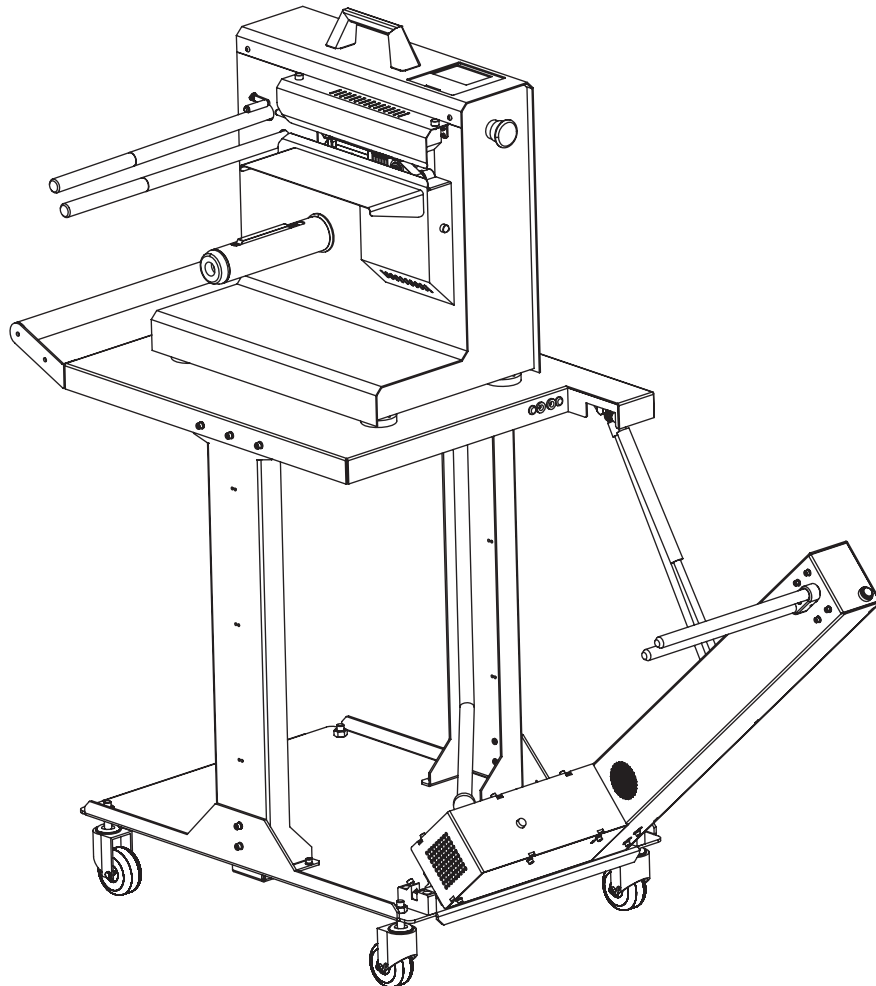
No	Designation	Specification	Number	Comment
1	Winder support		1	
2	Manual		1	
3	Equipment schedule		1	
4	Aviation plug cable		1	
5	Wrench	4/12/13	3	
6	M5x12 Bolts assembly	Gb	30	

三.Packing list









BINGJIA Tech is committed to innovative protective packaging equipments, materials and services. Extensive experience, industry-leading research, dozens of domestic and foreign patents, enable BINGJIA to provide extraordinary services for every client needs.

Locked Air(TM) series as inflatable protective packaging products of BINGJIA Tech, always provide best solutions for client.

Hangzhou Bingjia Tech.Co.,Ltd
Yuhang District, Hangzhou, P.R. China
+86-0571-86169196
info@airpkg.com
www.airpkg.com

Website



Wechat

