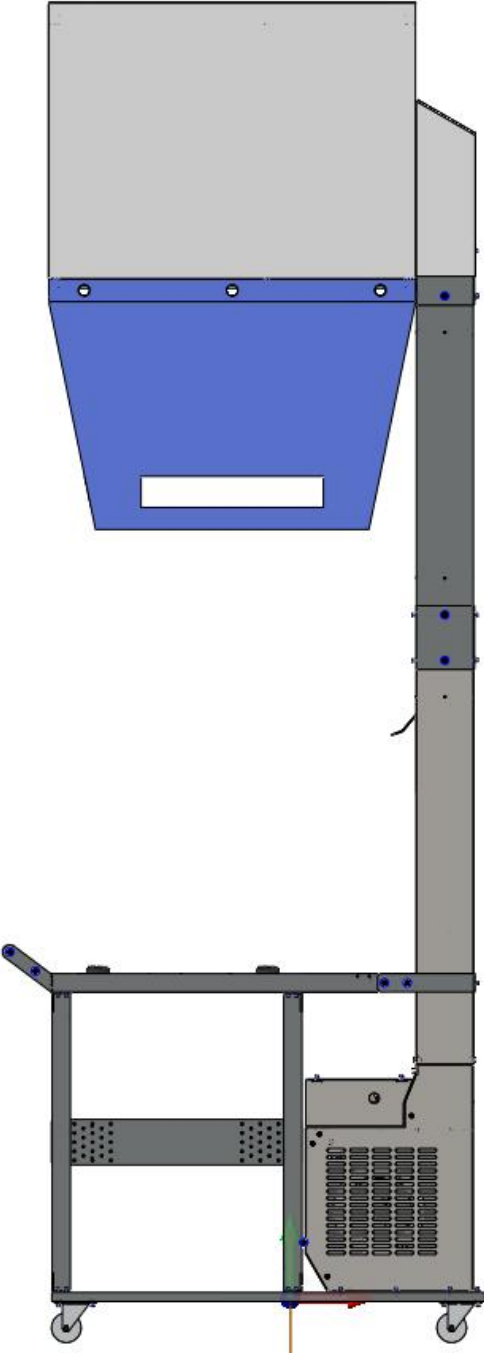
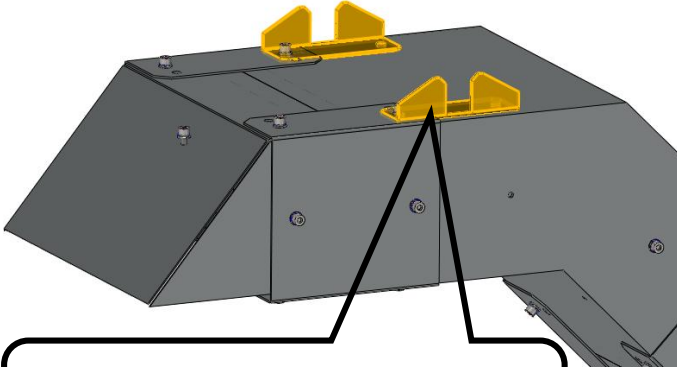


# Installation Guide for Integrated Mesh Basket



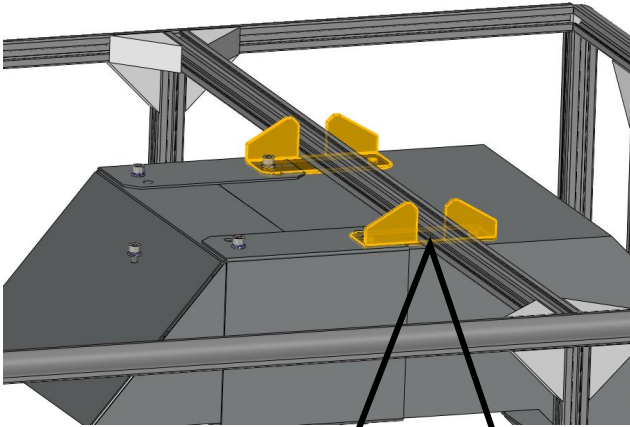
# Installation Steps

1. Fix two clamp boards on the top of the pipeline duct-E.



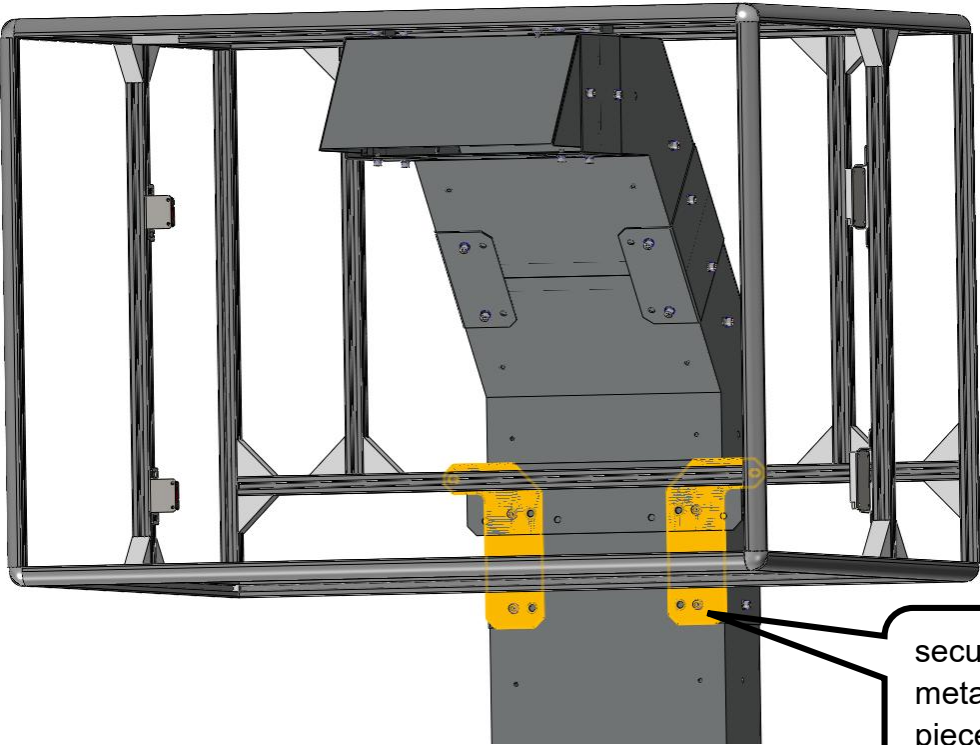
secure the sheet metal #1 by using 8 pieces of M5 screws

2. Clamp the aluminum profile of the mesh basket.



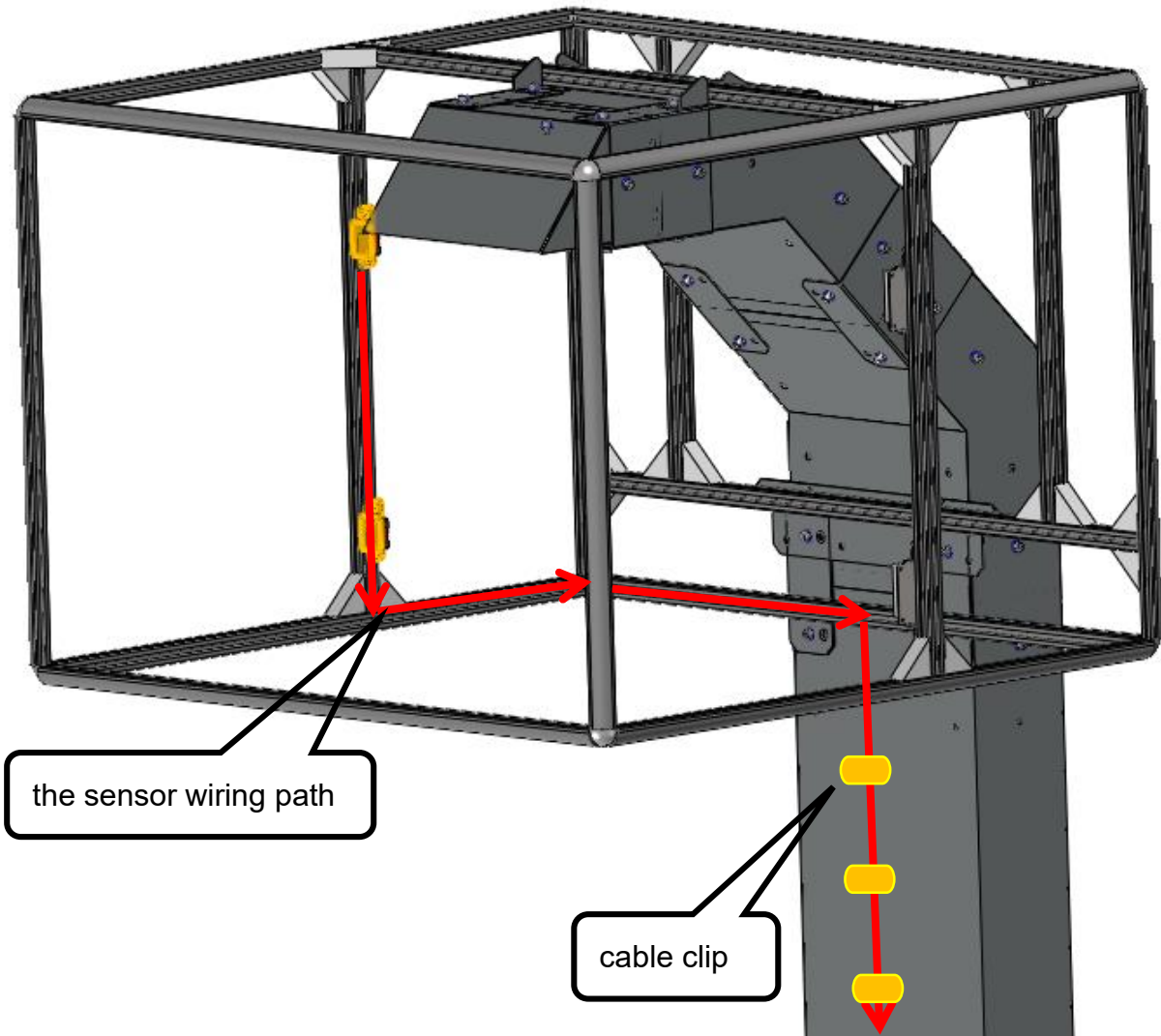
tighten the mesh basket securely

3. Secure the provided sheet metal tightly with the pipeline reinforcement plate.



secure the sheet metal #2 by using 12 pieces of M5 screws

4. Route the sensor wiring: Extend the sensor cable along the frame and pipeline, and secure it using cable clips.



5. Connect the sensor cable to the corresponding interface of the control box below the pipeline system. Use an Ethernet cable to connect the air cushion machine to the pipeline system.